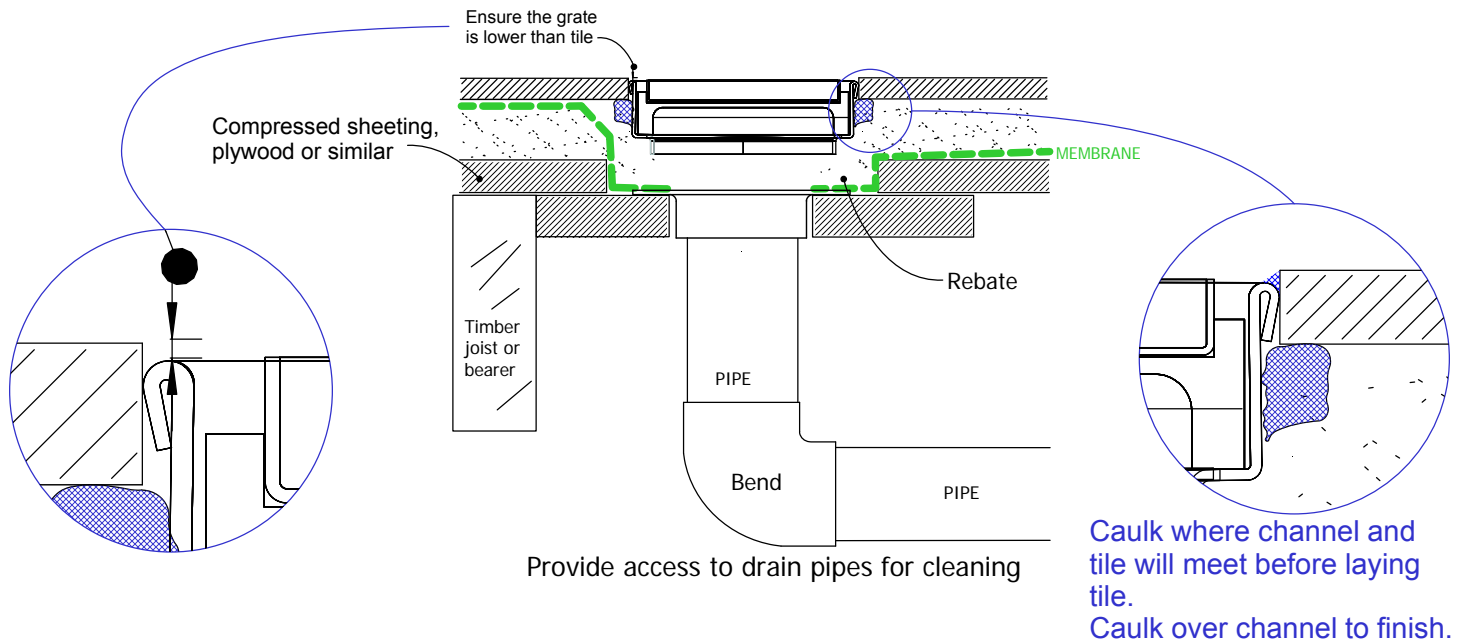


100Tii TIMBER FLOOR/DECK

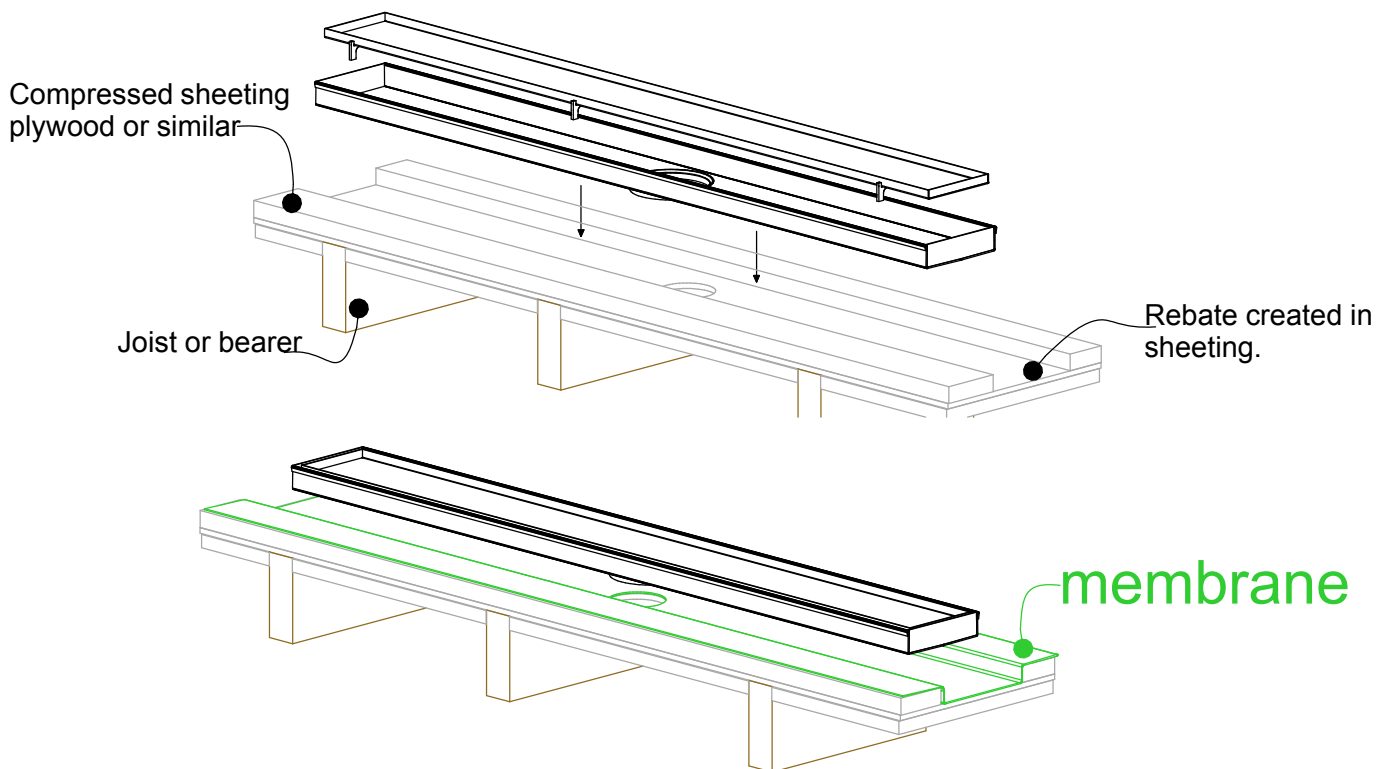
For 100Tii30MTL, 100TiiCo30, 100TRTii25MTL, 100TRTiiCO25, 100Tii40MTL.



When 100Tii is running parallel to joist/bearer



When 100Tii is running perpendicular to joist/bearer



NOTE: For exterior application allow for expansion of 1mm per 3 metres by using quality suitable flexible sealant on channel joins.

